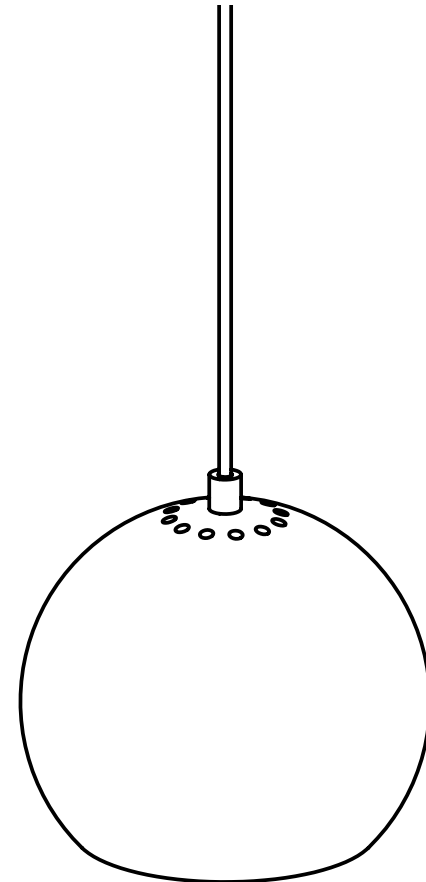


# BALL

DESIGN BY  
BENNY FRANDSEN



Frandsen has been designing,  
producing and marketing lamps  
since 1968

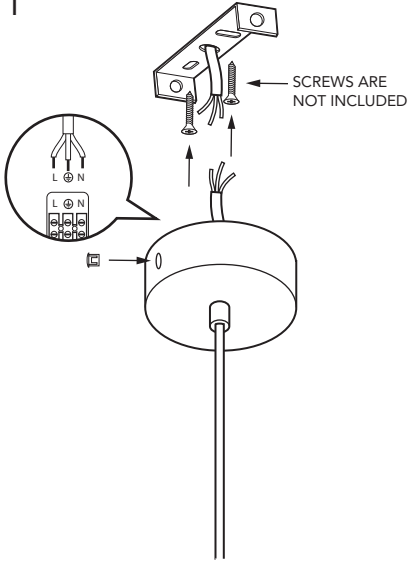
*"It is important for us to design  
lamps in beautiful materials, and  
to make sure that our products  
are signalling quality and taste"*

**FRANDSEN**

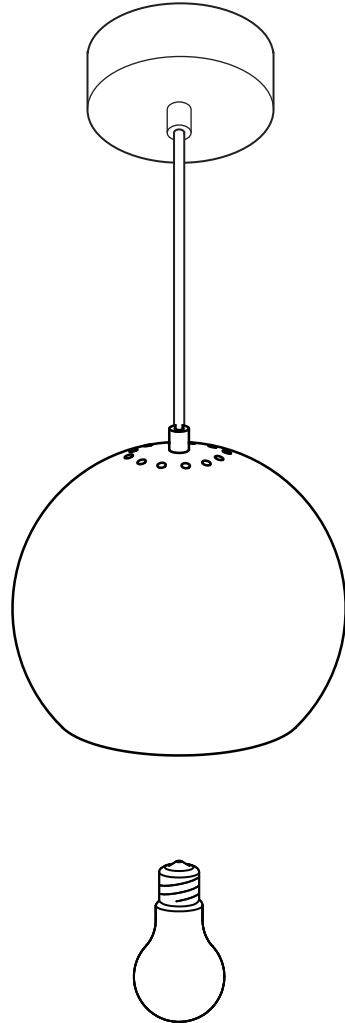
WWW.FRANDSEN.COM

Follow steps 1-3 below for hardwired mount

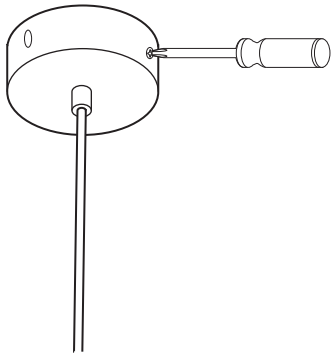
1



3

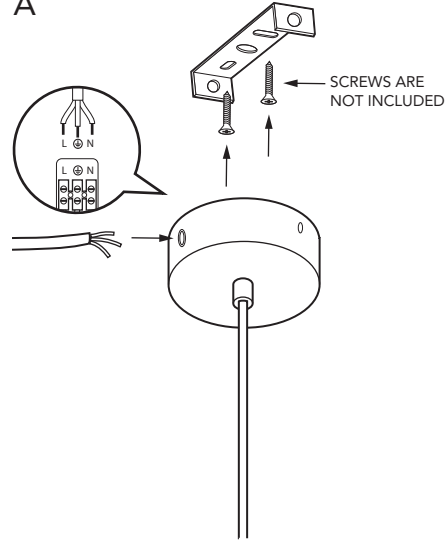


2

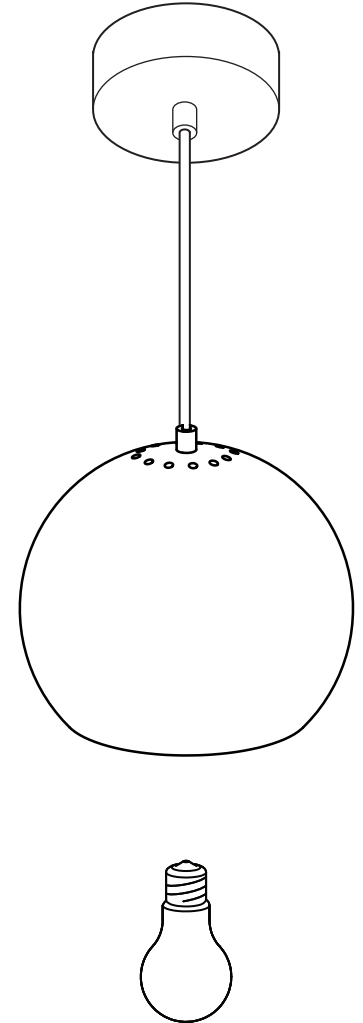


Follow steps A-C below for standard mount

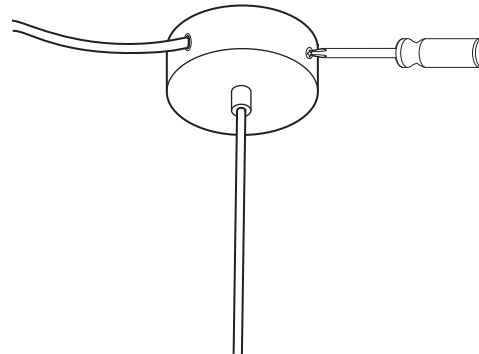
A



C



B



If the external flexible cable or cord of this luminaire is damaged, it shall be exclusively replaced by the manufacturer or his service agent or a similar qualified person in order to avoid a hazard.